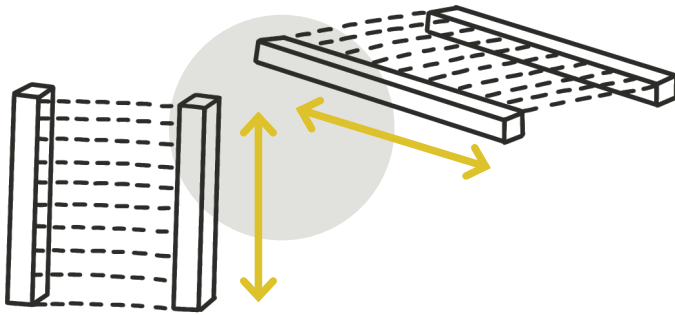


# SUNDIY MECHANISM ASSEMBLY

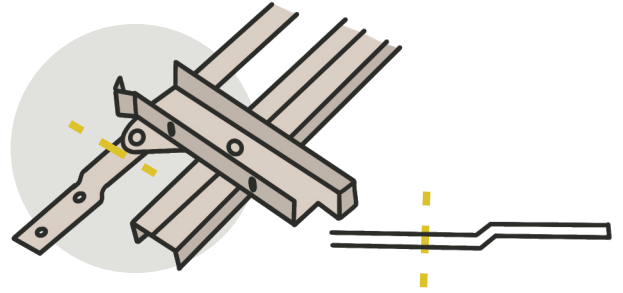
1

Build a vertical structure (windbreak) or horizontal structure (pergola), or renovate an existing one.



2

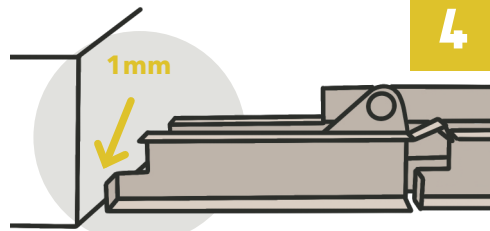
Cut off the end (slightly bent side) of the first mechanism using a grinder or hacksaw.



4

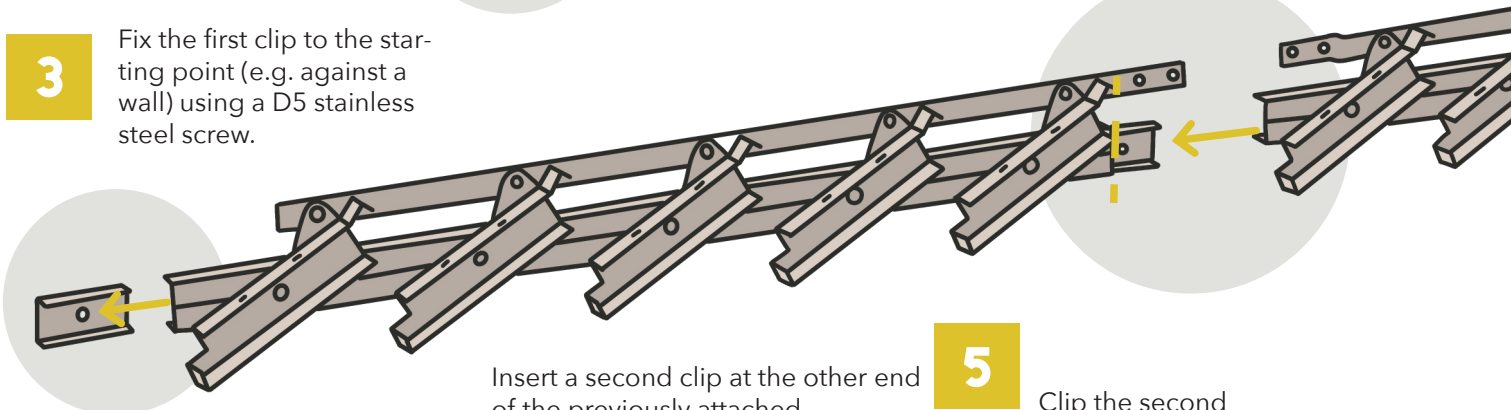
Clip and slide the SUNDIY mechanism onto the clip, leaving a gap of about 1mm between the beginning of the structure and the mechanism (closed).

*Note: this set is only required for the starting mechanism of each bay.*



3

Fix the first clip to the starting point (e.g. against a wall) using a D5 stainless steel screw.



5

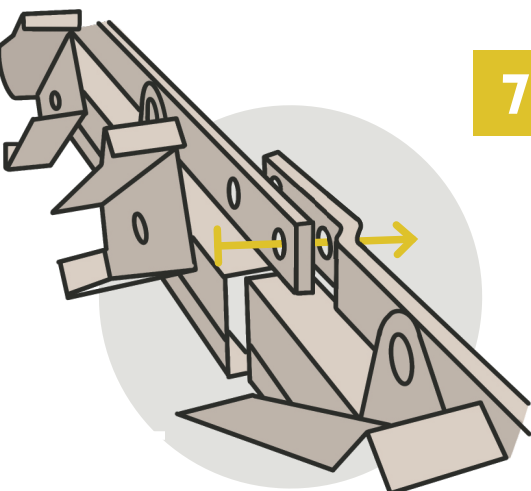
Insert a second clip at the other end of the previously attached mechanism, leaving it protruding by more than half. Secure with a D5 stainless steel screw.

Clip the second SUNDIY mechanism onto the protruding clip half.

6

7

Join the two mechanisms using rivets (or bolts), taking care to position the completely straight part in front of the slightly bent part.



8

Continue to the end of the span, then repeat in symmetry.

*Note: it may be necessary to cut the mechanism at the end of the span, the off-cut being reused as the starting point for the next span.*

