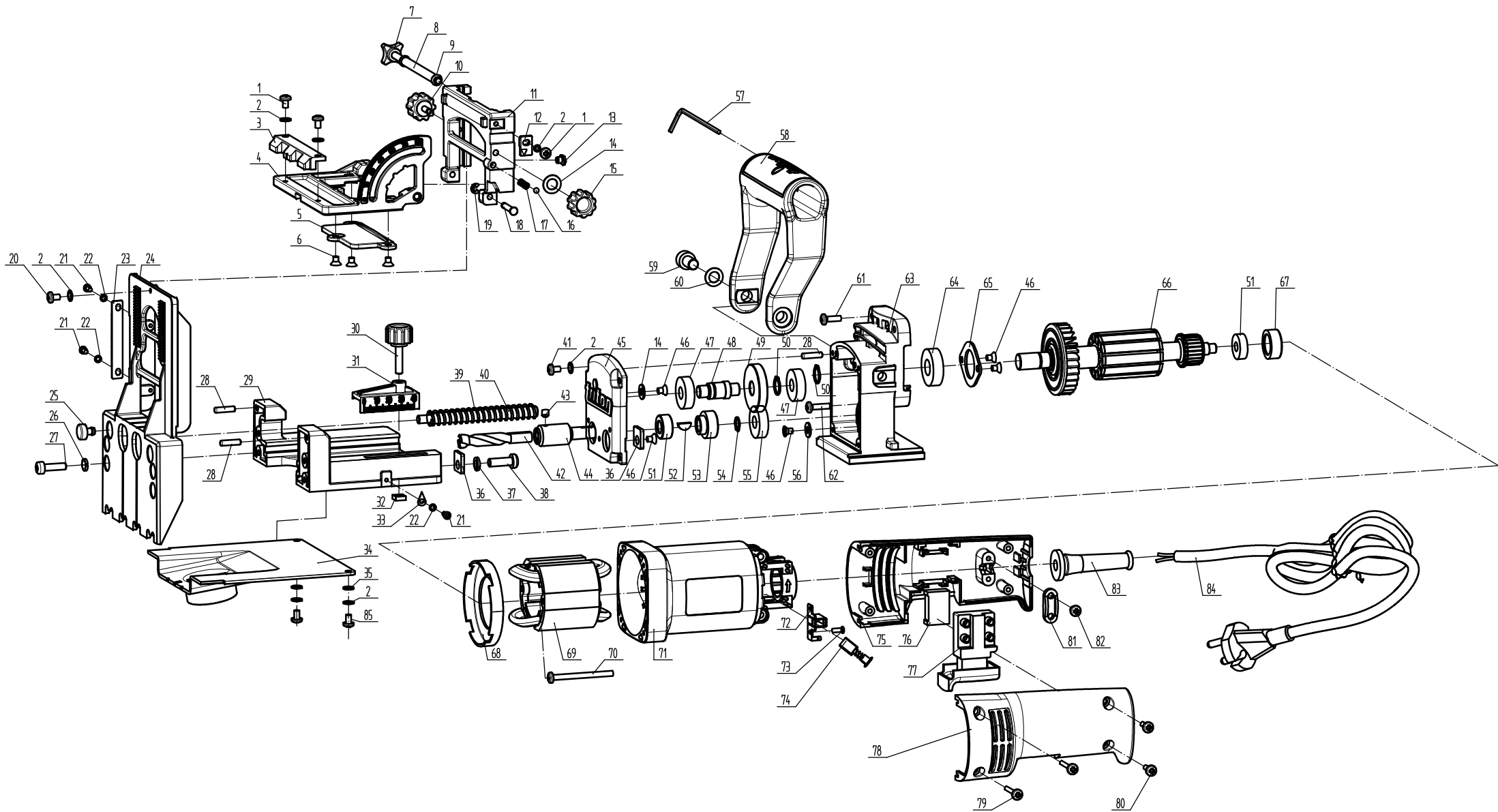




# TDJ600 - Dowel Joiner





## TDJ600 - Dowel Jointer

No.	Description	Qty
1	Screw M4*10	3
2	Spring Washer4	10
3	Position block	1
4	Adjustable Fence	1
5	Perspective plate	1
6	Screw M4*6	3
7	knob	1
8	Adjust shaft	1
9	Seal ring	2
10	Screw of height adjust	1
11	Plate of height guide	1
12	Guide block	1
13	Arrow of height guide	1
14	Washer6	1
15	Screw of height position	1
16	Ball Bearing	1
17	Small spring	1
18	Pin of baseboard	2
19	connect Check ring3	2
20	Screw M4*8	1
21	Screw M3*6	3
22	Spring washer3	3
23	Height gauge	1
24	Riser	1
25	Baffle Rubber	2
26	Spring washer5	4
27	Screw M5*22	4
28	Pin	4
29	Baseboard of aluminium	1
30	Screw	1
31	Block of depth adjust	1
32	Square nut M5	1
33	Pointer	1
34	Plastic baseboard	1
35	Flat washer4	2
36	Cushion block	3
37	Spring Washer6	2
38	Screw M6*16	2
39	Spring	1
40	Screw of direction guide	1
41	Screw M4*16	4
42	Wooden drill	2
43	Hex screw M5*6	2



## **TDJ600 - Dowel Jointer**

<b>No.</b>	<b>Description</b>	<b>Qty</b>
44	Output shaft	2
45	Gear box cover	1
46	Screw	6
47	Oil bearing	2
48	Middle shaft	1
49	Middle gear	1
50	Spring ring 12	2
51	Bearing 607-2Z	3
52	Key 3X10	2
53	Output gear	2
54	Spring ring9	2
55	Bearing 609-2Z	2
56	Washer	1
57	Hex wrench	1
58	Handle	1
59	Hex screwM8*18	2
60	Washer of handle	2
61	Screw ST4.2*22	2
62	Screw ST4.2*30	2
63	Gear box	1
64	Bearing	1
65	Bearing cap	1
66	Armature with fan	1
67	Rubber bearing cover	1
68	Wind baffle	1
69	Stator	1
70	Screw ST4*55	2
71	Housing	1
72	Carbon Brush holder	2
73	Rivet	4
74	Carbon Brush	2
75	Right Handle	1
76	Capacitor	1
77	Switch	1
78	Left handle	1
79	Screw ST4.2*35	2
80	Screw ST4.2*14	2
81	Cable clamp	1
82	Screw ST4.2*10	2
83	Cable jacket	1
84	Plug	1
85	Screw M4X12	2